

**3 V GaAs SPDT Switch
DC - 2.0 GHz**

**MASWSS0179
V2**

Features

- Low Insertion Loss: <0.5 dB @ 900 MHz
- Low Power Consumption: <10 μ A @ 3 VDC
- Very High Intercept Point: 52 dBm IP3
- Both Positive and Negative 3 to 8 V Control
- Lead-Free SOT-26 Package
- 100% Matte Tin Plating over Copper
- Halogen-Free "Green" Mold Compound
- 260°C Reflow Compatible
- RoHS* Compliant Version of SW-395

Description

M/A-COM's MASWSS0179 is a GaAs single pole, double throw switch in a lead-free SOT-26 surface mount plastic package. The MASWSS0179 is ideally suited for applications where very low power consumption, low intermodulation products, very small size and low cost are required.

Typical application is an internal / external antenna select switch for portable telephones and data radios. In addition, because of its low loss, good isolation and inherent speed, the MASWSS0179 can be used as a conventional T/R switch or as an antenna diversity switch. The MASWSS0179 can be used in power applications up to 0.5 Watts in systems such as cellular, PCS, GSM and other analog / digital wireless communications systems.

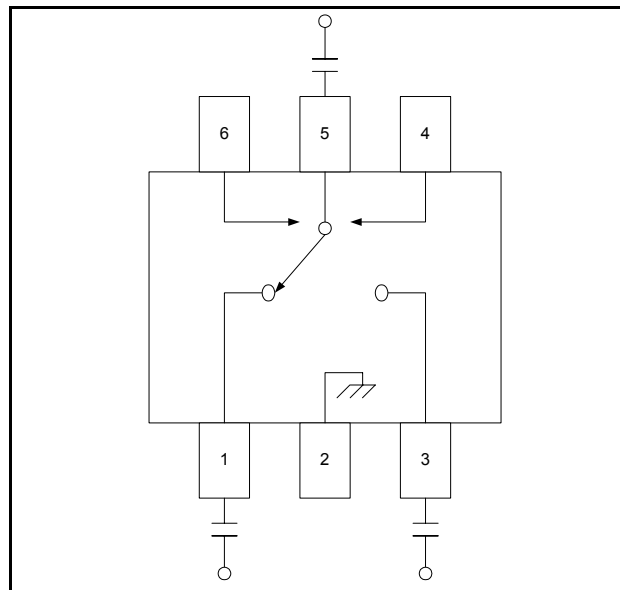
The MASWSS0179 is fabricated using a mature 0.5-micron gate length GaAs PHEMT process. The process features full chip passivation for increased performance and reliability.

Ordering Information ¹

Part Number	Package
MASWSS0179	Bulk Packaging
MASWSS0179TR-3000	3000 piece reel

1. Reference Application Note M513 for reel size information.

Functional Schematic ²



2. DC blocking capacitors are not required if negative control voltage is used.

Pin Configuration

Pin No.	Function	Pin No.	Function
1	RF1	4	Control B
2	Ground	5	RF Common
3	RF2	6	Control A

Absolute Maximum Ratings ^{3,4}

Parameter	Absolute Maximum
Input Power	+33 dBm
Operating Voltage	+8.5 Volts
Storage Temperature	-65°C to +150°C
Operating Temperature	-40°C to +85°C

3. Exceeding any one or combination of these limits may cause permanent damage to this device.

4. M/A-COM does not recommend sustained operation near these survivability limits.

* Restrictions on Hazardous Substances, European Union Directive 2002/95/EC.

**3 V GaAs SPDT Switch
DC - 2.0 GHz**

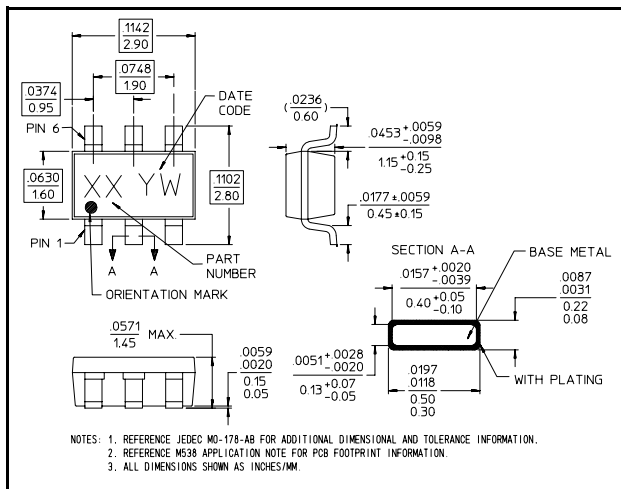
**MASWSS0179
V2**

Electrical Specifications: $T_A = +25^\circ\text{C}$, $V_C = 0\text{ V} / -3\text{ V}$, $Z_0 = 50\ \Omega$ ⁵

Parameter	Test Conditions	Units	Min.	Typ.	Max.
Insertion Loss	DC - 1.0 GHz	dB	—	0.5	0.7
	1.0 - 2.0 GHz	dB	—	0.6	0.8
Isolation	DC - 1.0 GHz	dB	25	28	—
	1.0 - 2.0 GHz	dB	19	22	—
VSWR	DC - 2.0 GHz	Ratio	—	1.3:1	—
1 dB Compression	0.5 GHz, Input Power (3 V Control)	dBm	—	26	—
	0.5 GHz, Input Power (5 V Control)	dBm	—	30	—
	0.05 GHz, Input Power (3 V Control)	dBm	—	16	—
	0.05 GHz, Input Power (5 V Control)	dBm	—	16	—
Trise, Tfall	10% to 90% RF, 90% to 10% RF	μS	—	5	—
Ton, Toff	50% Control to 90% RF, 50% Control to 10% RF	μS	—	3	—
Transients	In-Band	mV	—	15	—
Input IP ₂	2-Tone, 5 MHz spacing, 3 V Control, +10 dBm each	dBm	—	69	—
	0.05 GHz				
Input IP ₃	2-Tone, 5 MHz spacing, 3 V Control, +10 dBm each	dBm	—	48	—
	0.5 GHz				
Control Current	$ V_C = 3\text{ V}$	μA	—	1	10

5. For positive voltage control, external DC blocking capacitors are required on all RF ports.

Lead-Free SOT-26[†]



[†] Reference Application Note M538 for lead-free solder reflow recommendations.

Truth Table^{6,7,8}

Control A	Control B	RFC to RF1	RFC to RF2
0	1	Off	On
1	0	On	Off

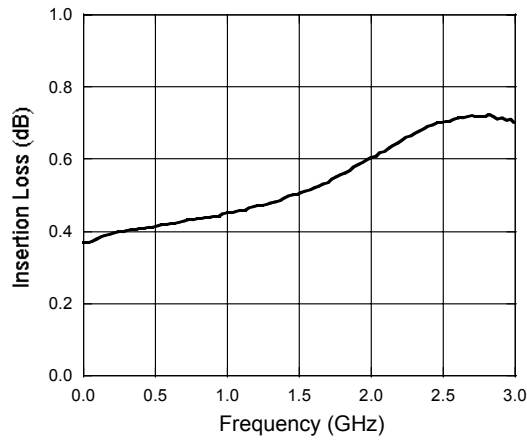
6. For positive voltage control, external DC blocking capacitors are required on all RF ports.

7. 0 = -8 V to 0 V, 1 = 0 V to +8 V.

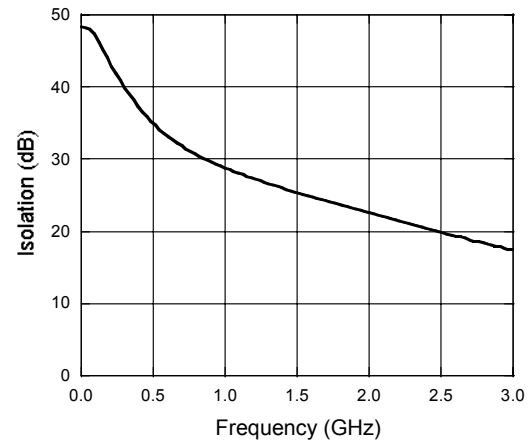
8. Differential voltage, V (state 1) - V (state 0), must be +2.8 V minimum and must not exceed +8 V.

Typical Performance Curves

Insertion Loss



Isolation



VSWR

